

ALFRED TEVES BRAKE SYSTEMS (PTY) LTD

TECHNICAL BULLETIN

25 March 2022

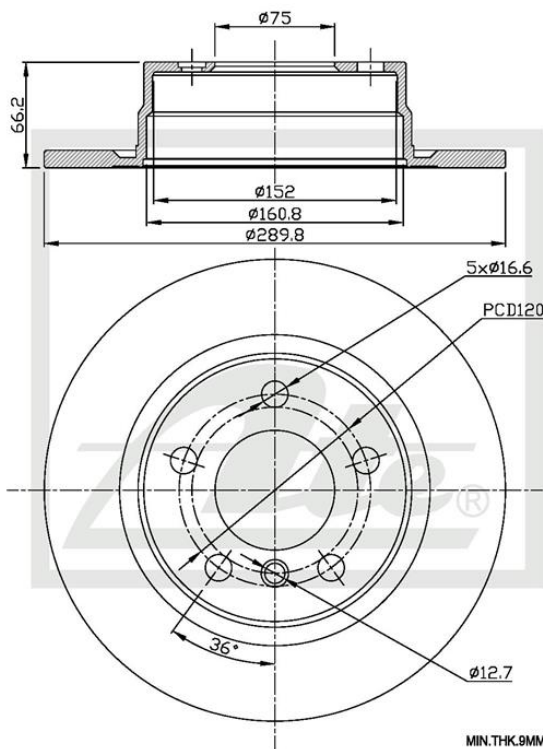


(ATE and Teves are registered trademarks of Continental Teves AG & Co oHG and/or its affiliates in Frankfurt Germany and other Countries)

111.0175

NEW PART NUMBER

Drawing



Details of New Part

Brake Disc – Rear

Product Dimensions

Diameter – 289.8mm

Thickness - 11mm

Height – 66.2mm

PCD – 120mm

Spigot -75mm

Package Dimensions

Weight –5500g

L – 271.8mm

W – 271.8mm

H – 55mm

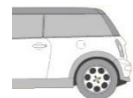
Barcode



Vehicle Applications

BMW 1 (F20) 116i (2011-2015); BMW 1 (F20) 118i (2015-); BMW 1 (F20) 118i (2015-2019); BMW 1 (F21) 116i (2011-); BMW 1 (F21) 118i (2015-).

Front Position Rear



CALL NOW TO ORDER YOUR STOCK!!!

(011) 898 1800

Picture(s) of the vehicle(s) that this part is suitable for



www.ate.co.za

"Single Minded about YOUR Safety"